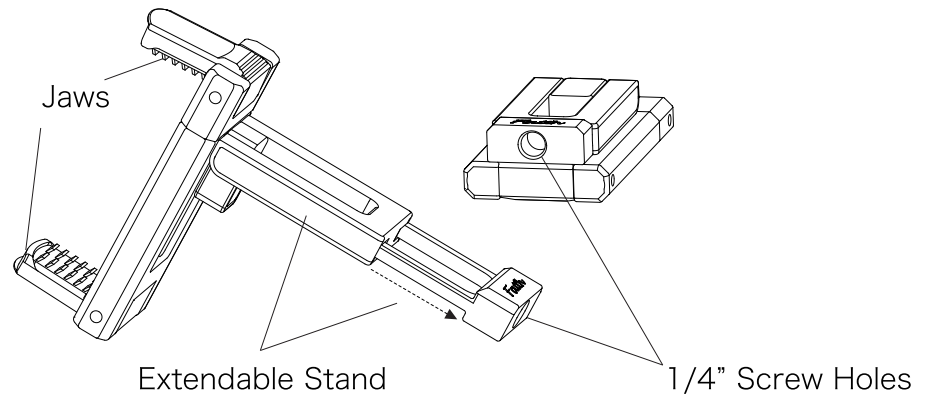


# PH1 User Manual

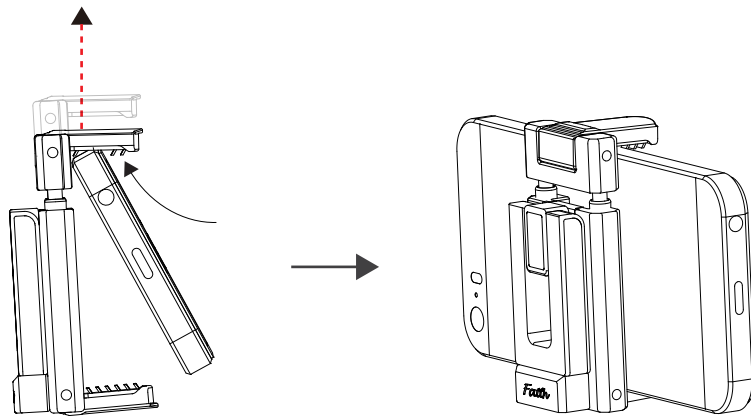
## This Product Includes:

### 1. Phone Holder



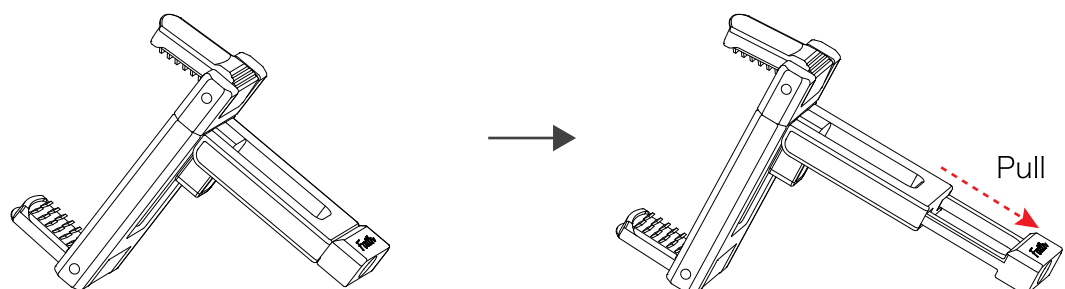
## Mounting Your Phone:

Spring-loaded holder expands and contracts for perfect fit of your phone. Slip the upper side of your phone in between Jaws, then push the upper Jaw to expand the holder and slip in the other side your phone. PH1 will hold your phone securely.



## Extending the Stand:

Pull out the Stand to extend it.

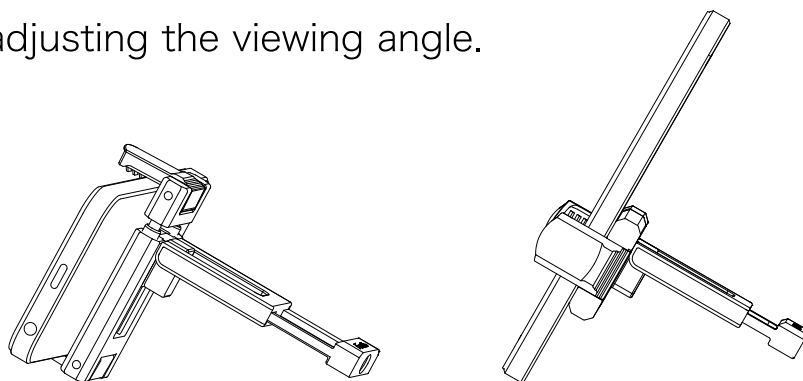


# PH1 User Manual

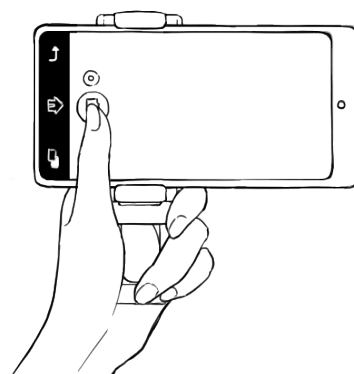
## Extending the Stand Cont'd:

The extension of Stand can be helpful in many cases:

- Making it more flexible in adjusting the viewing angle.

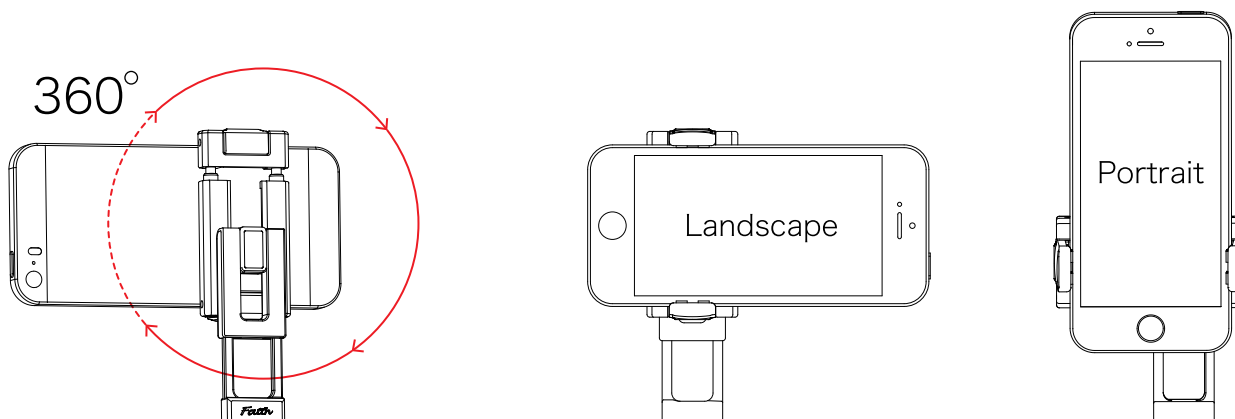


- To prevent your phone from slipping out your hand, hold the extended Holder when you take selfies.



## Changing the Screen Orientation:

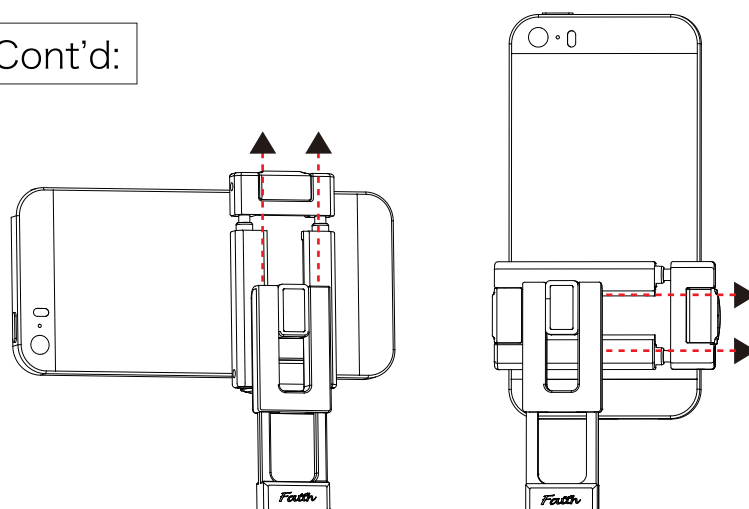
PH1 is 360° rotatable, making it easy to switch between Portrait and Landscape.



# PH1 User Manual

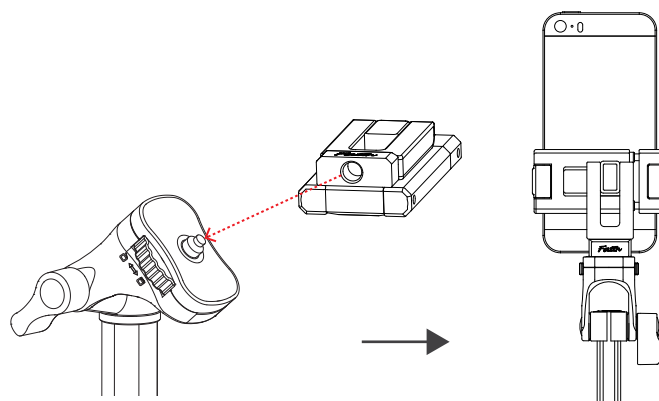
## Changing the Screen Orientation Cont'd:

After adjusting the orientation, slide the Stand along the track as needed to adjust balance.



## Tips on Using PH1:

1. You can pair PH1 with a tripod or other supporting equipments with a 1/4" male threaded screw.



2. You can remotely control your smartphone using certain Applications or electronic devices provided by the 3rd parties.



## Specifications

- Weight: 40 g
- Dimensions: 63 x 33 x 24 mm
- Max. Clamping Depth: 12 mm
- Clamping Range: 55 ~ 95 mm
- Screw Hole Thread Size: 1/4"

## Warning

1. This is not a toy. Children must be properly supervised by adult(s) when using the product.
2. Do not disassemble, crush, bend, deform, shred, microwave or incinerate the product or parts.
3. Do not use the product near high voltage area.
4. Avoid usage below -15°C or above 50°C .
5. Do not exceed the product's Max. Load as stated in this User Manual.
6. Only qualified personnel may repair this product.
7. Do not use lubricant on the product. Any abrasive cleansing tools should be avoided.
8. Design, specifications and distribution are subject to change without further notice.