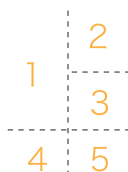
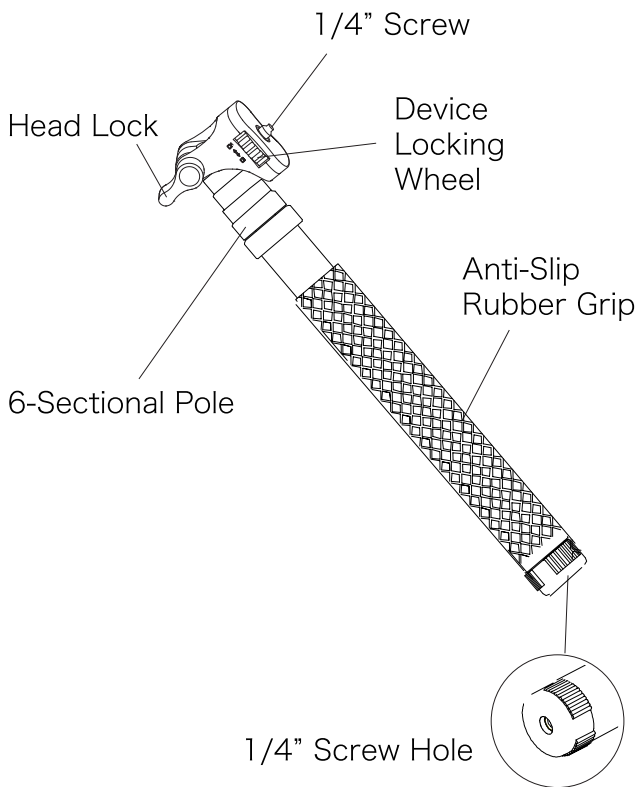


# STI-ACm/1/2 User Manual

## This Product Includes:

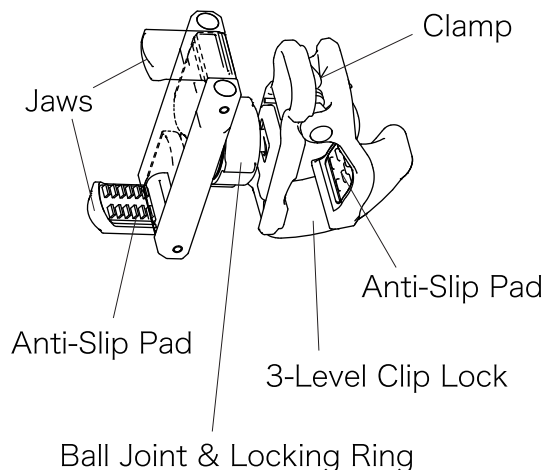
### 1. Monopod



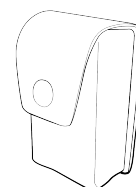
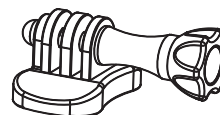
### 4. Carrier

\* Applicable to STI-AC1 & STI-AC2 Only.

### 2. Clamp-on Phone Holder



### 3. Mount Adaptor



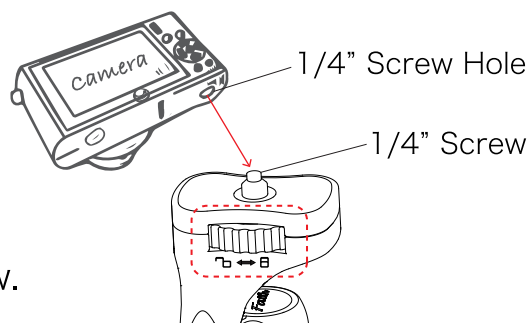
### 5. Carrier Case

\* Applicable to STI-AC1 & STI-AC2 Only.

## Mounting Your Devices:

### 【 Mounting Devices with 1/4" Screw Hole 】

1. Directly mount the camera or other devices that are equipped with 1/4" screw hole onto the stand through its 1/4" male threaded screw.
2. Tighten the Device Locking Wheel to Secure.



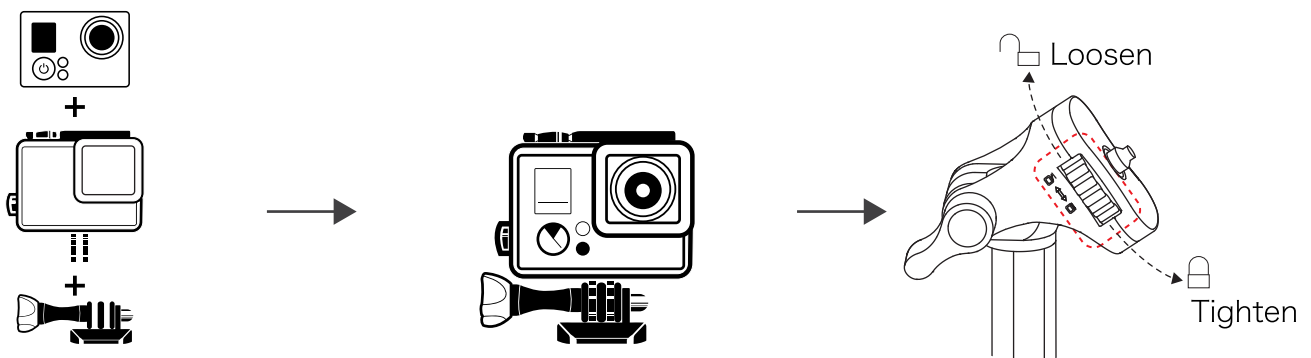
# STI-ACm/1/2 User Manual

## Mounting Your Devices Cont'd:

### 【 Mounting Devices with the Mount Adaptor 】

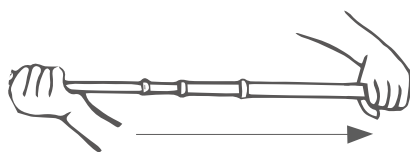
The Mount Adaptor is provided for mounting a certain type of action cameras which are not equipped with a 1/4" screw hole, but instead, a case that is compatible with the Mount Adaptor.

1. Attach the camera to the Mount Adaptor.
2. Attach the Mount Adaptor to the Monopod and secure it.
3. Tighten the Device Locking Wheel to secure.

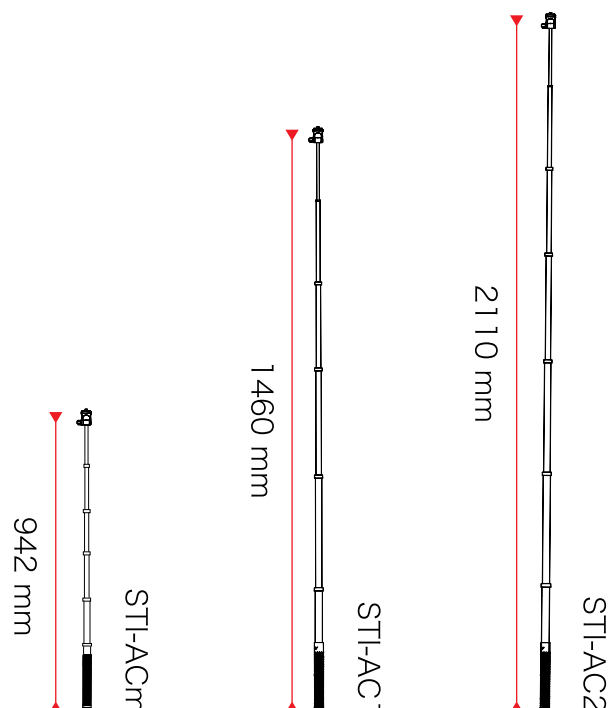


## Adjusting the Pole Length:

Easy and flexible length adjustment.  
Simply pull the Pole out to extend it,



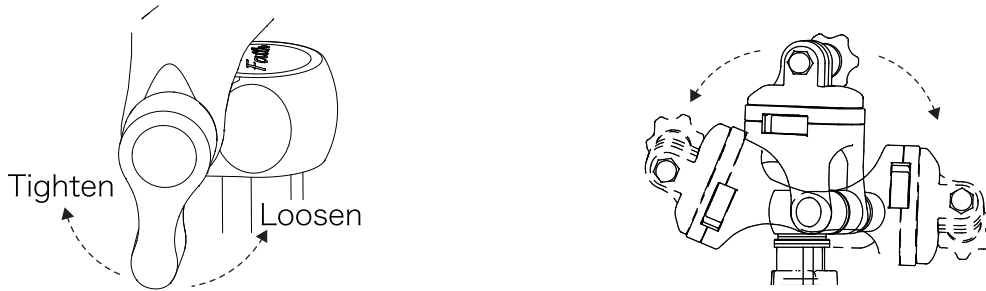
Lock Free, Pull-to-Set  
Length Adjustment



# STI-ACm/1/2 User Manual

## Adjusting the Angle:

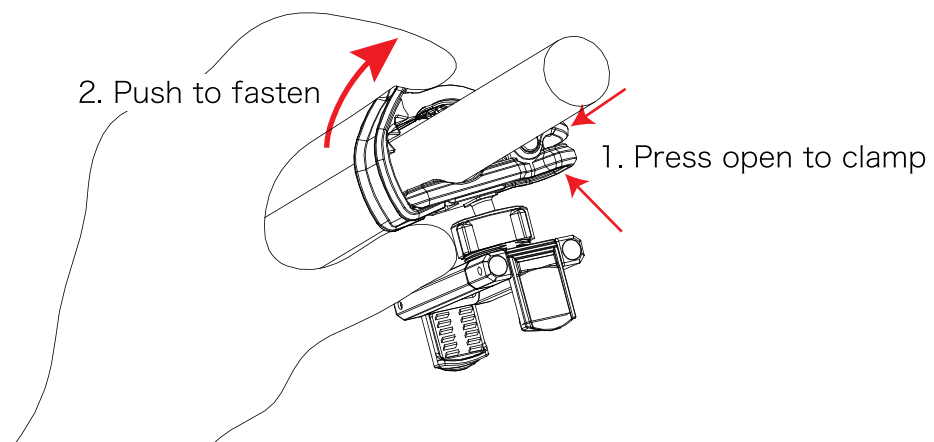
1. Loosen the Head Lock to adjust the Head angle.



2. After adjustment, tighten the Head Lock to secure.

## Using the Phone Holder:

1. To use the Phone Holder together with the Monopod, attach the holder to the pole and secure it by fastening the Clip Lock according to the pole size.



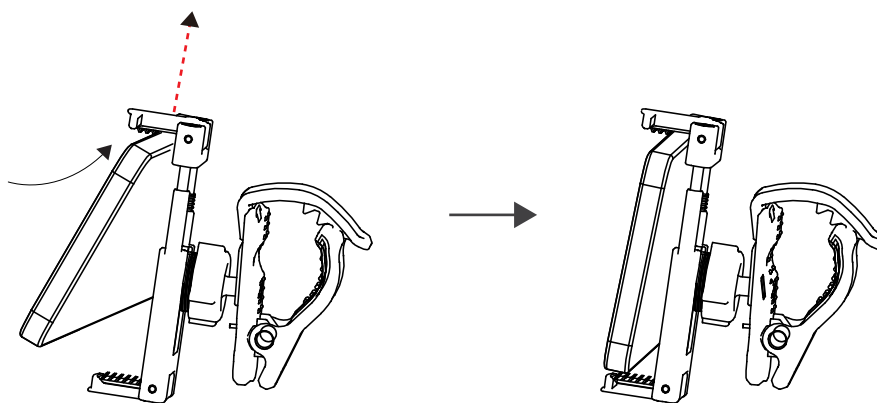
Compatible pole/tube size: (  $\varnothing$ 17.4 ~ 22mm )

# STI-ACm/1/2 User Manual

## Using the Phone Holder Cont'd:

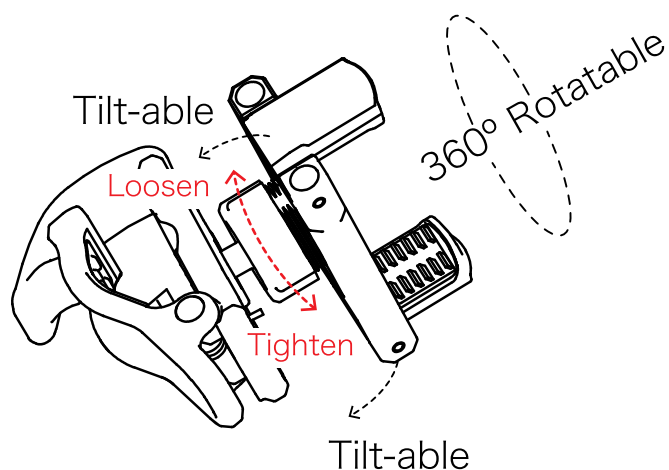
### 2. Mount your phone.

Spring-loaded holder expands and contracts for perfect fit of your phone. Slip the upper side of your phone in between Jaws, then push the upper Jaw to expand the holder and slip in the other side your phone.



### 3. Adjust the viewing angle.

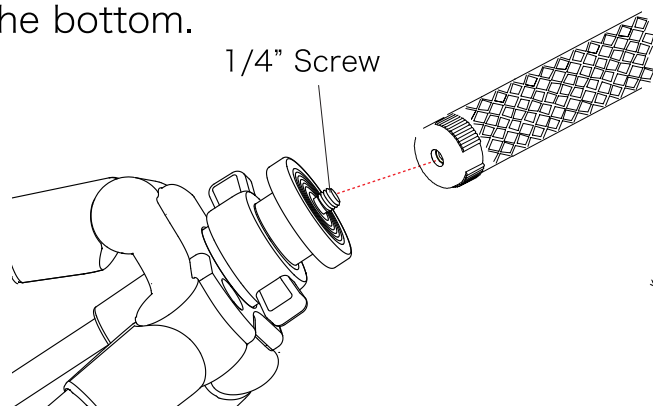
Phone Holder is 360° rotatable and tilt-able, making it easy to adjust the viewing angle, and switch between Portrait and Landscape. To adjust, loosen the Locking Ring to free the Ball Joint. After adjustment, tighten the ring to secure.



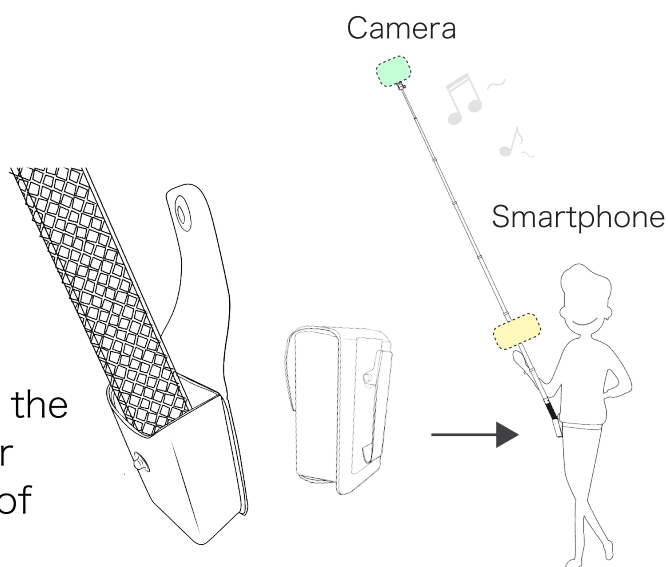
# STI-ACm/1/2 User Manual

## Tips on Using STI-ACm/1/2:

1. The Monopod can be attached to a tripod through its 1/4" screw hole at the bottom.



2. For a handy on-the-go setup, attach the clip-on Carrier Box to your belt or other garments, then insert the bottom part of the monopod into the case.



\* Applicable to STI-AC1 & STI-AC2 Only.

## Specifications

	<b>STI-ACm</b>	<b>STI-AC1</b>	<b>STI-AC2</b>
Weight	151 g	197 g	300 g
Folded Length	217 mm	310 mm	451 mm
Maximum Length	942 mm	1460 mm	2110 mm
Thread Size	1/4"		
Phone Holder Clipping Range	55 ~ 95 mm		
Phone Holder Jaw Depth	12 mm		

## Warning

1. This is not a toy. Children must be properly supervised by adult(s) when using the product.
2. Do not disassemble, crush, bend, deform, shred, microwave or incinerate the product or parts.
3. Do not use the product near high voltage area.
4. Avoid usage below -15°C or above 50°C .
5. Do not exceed the product's Max. Load as stated in this User Manual.
6. Only qualified personnel may repair this product.
7. Do not use lubricant on the product. Any abrasive cleansing tools should be avoided.
8. Design, specifications and distribution are subject to change without further notice.